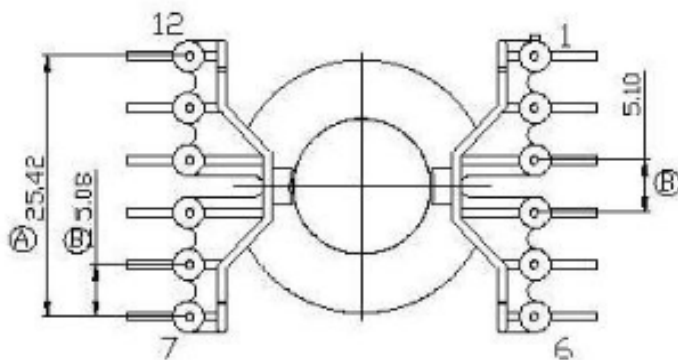
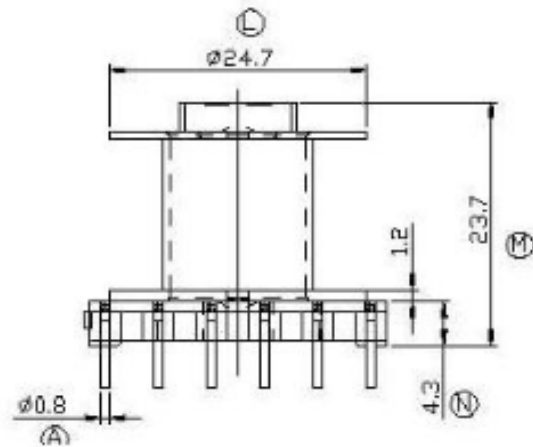
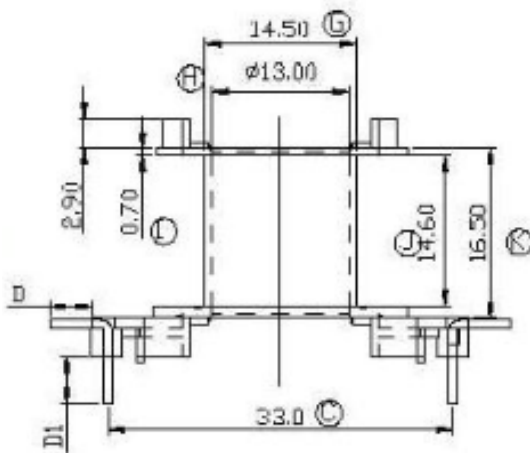
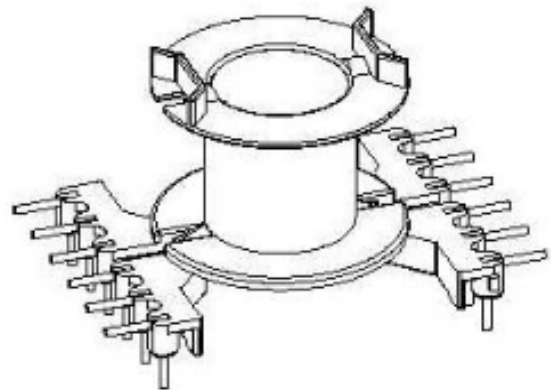
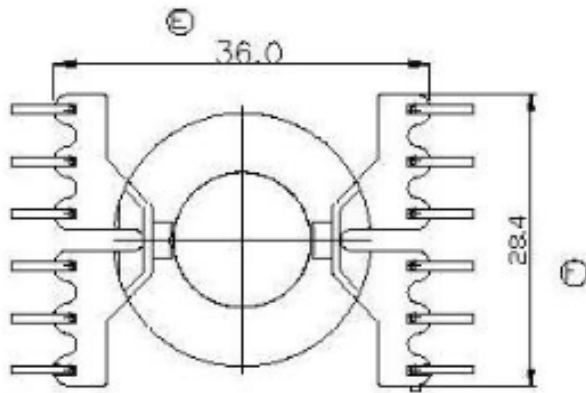


P/N  
SR-RM 1202(6+6 L PIN)

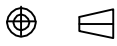


**Hefei Shirui Electronic Technology Co.,Ltd**

TEL:(0086) 55165232650

sales@shiruitech.com

www.shiruitech.com

SR NO. SR-RM 1202(6+6 L PIN)	MATERIAL: PHENOLIC	UNIT: mm	TOLERANCE	DRN.	WILL H
MODEL NAME: SR-RM 1202(6+6 L PIN)	UL REC: UL 94V-0		0 L 4 $\pm 0.10$	CHD.	IRINA LEE
	ANGLE: $\pm$ ° 		4 L 16 $\pm 0.20$	ISSD.	JAMES HU
	SCALE 1:1		16 L 64 $\pm 0.30$		
			PIN PITCH $\pm 0.05$		